

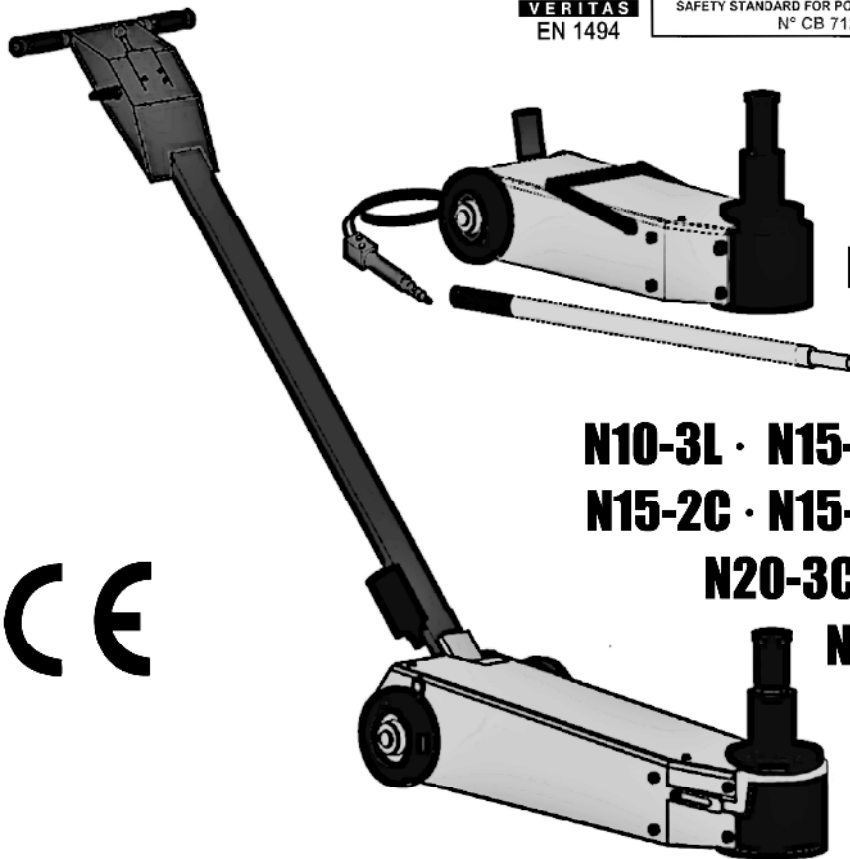
Instrucciones de uso y mantenimiento
Operation and maintenance instructions

Gato oleoneumático de garaje
Air hydraulic trolley jack
Cric oléopneumatique rouleur
Hydraulisch-Pneumatischer Heber



**BUREAU
VERITAS**
EN 1494

L'ATTESTATION D'EXAMEN DE CONFORMITE ANSI
ASME PALD - 2003
SAFETY STANDARD FOR PORTABLE AUTOMOTIVE LIFTING DEVICES
CERTIFICATE OF EXAMINATION CONFORMITY ANSI
ASME PALD - 2003
SAFETY STANDARD FOR PORTABLE AUTOMOTIVE LIFTING DEVICES
N° CB 712- 2007- 01- 25- 001



NP15-2B

N10-3L · N15-2L · N15-2BL

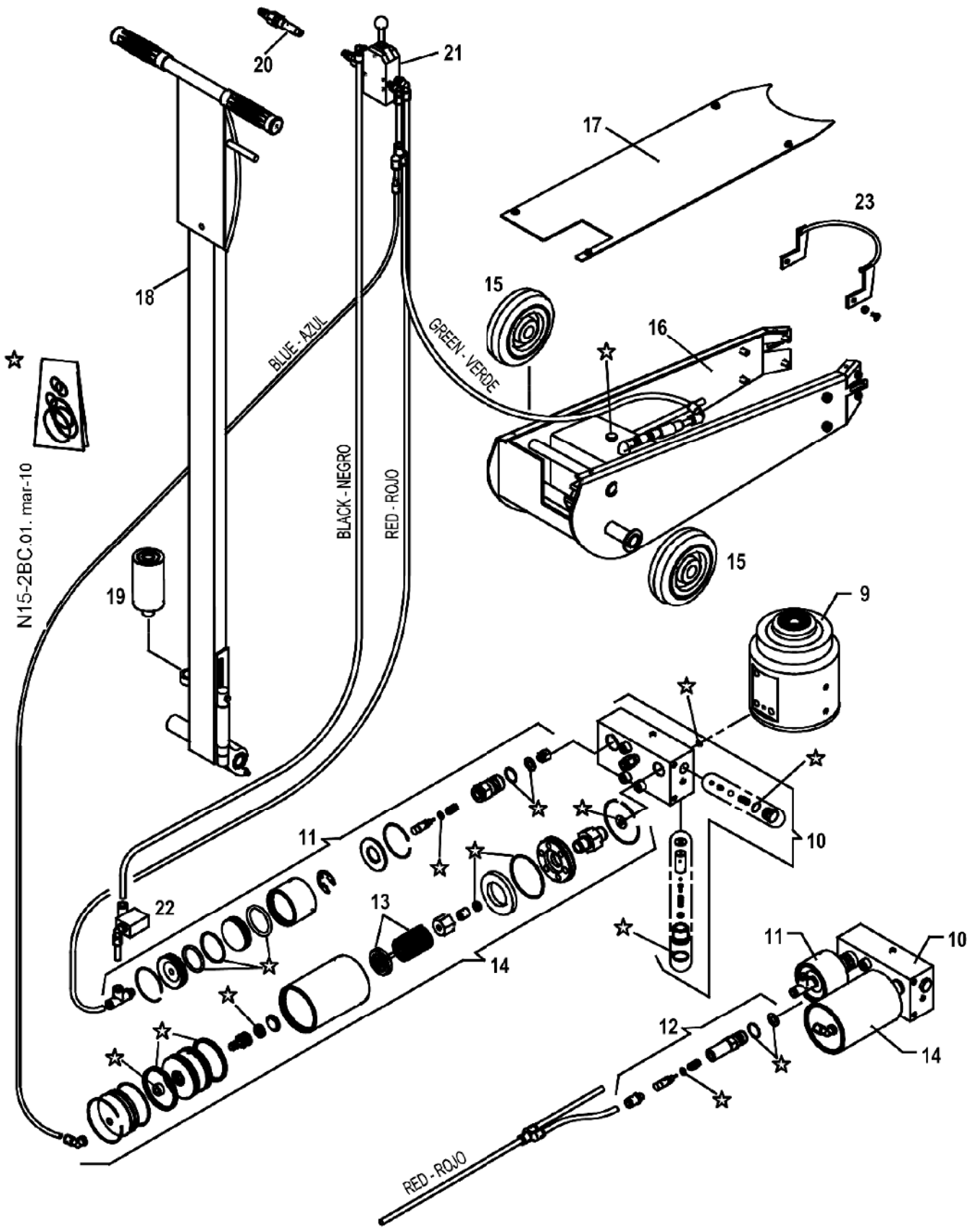
N15-2C · N15-2BC · N15-4C

N20-3C · N25 · N35L

N35C · N30HC

CE

MEGA 



N15-2BC.01. mar-10

☆

BLUE-AZUL

BLACK-NEGRO

RED-ROJO

GREEN-VERDE

RED-ROJO



18

20

21

17

23

15

16

15

9

11

22

13

14

10

☆

11

10

12

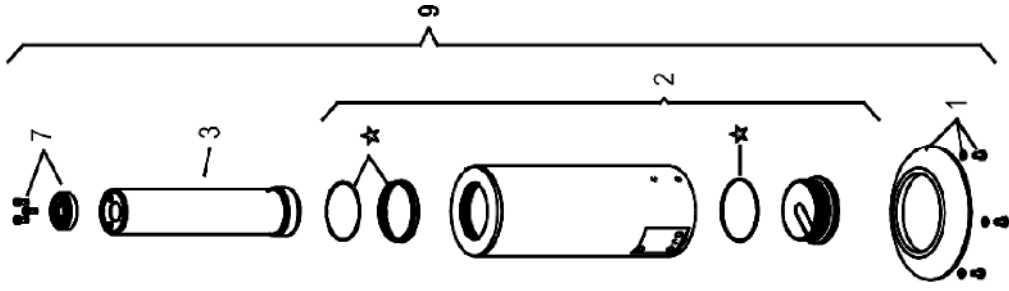
14

11

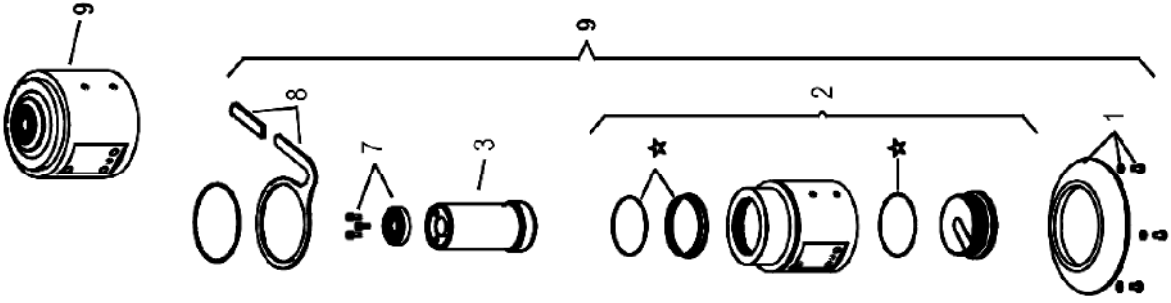
14

10

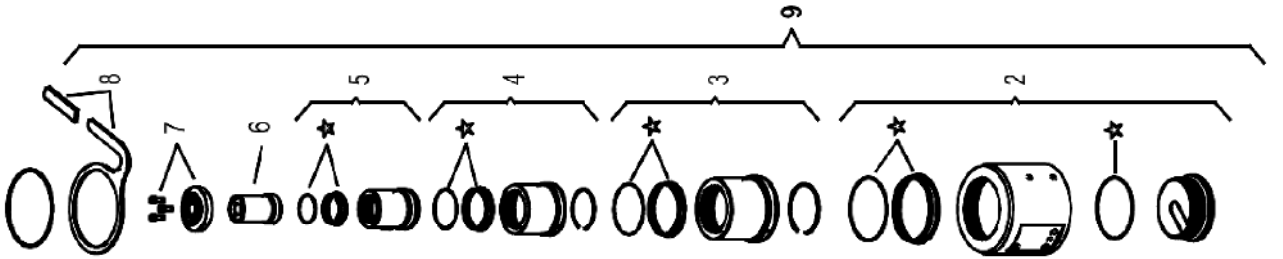
N30HC



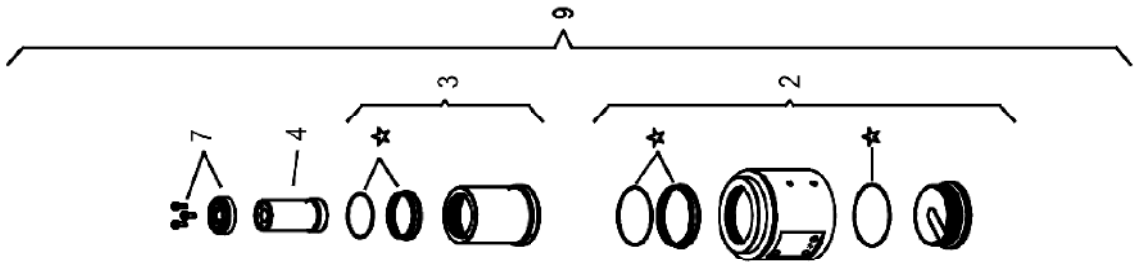
N35L / N35C / N25



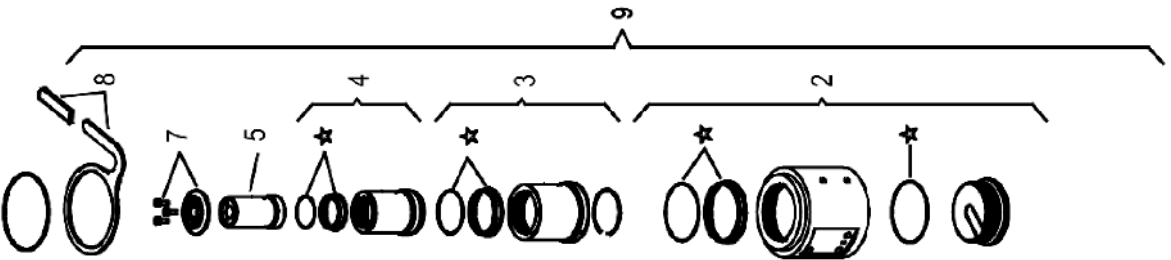
N15-4C



**N15-2L / N15-2C
N15-2BL / N15-2BC**



N10-3L / N20-3C



N°	MODEL										
	N10-3L	N15-2L	N15-2C	N15-2BL	N15-2BC	N15-4C	N20-3C	N35L	N35C	N30HC	N25
1	10-20-35t	15-30 t	15-30 t	15-30 t	15-30 t	15-30-50-80 t	20-30-65 t	35 t	35 t	30 t	25 t
2	N10-3L/104M	N15-2C/104M	N15-2C/104M	N15-2BC/104M	N15-2BC/104M	N15-4C/104M	N20-3C/104M	N35C/C54	N35C/C54	N35C/C54	N25/C54
3	N10-3/105M	N15-2/105M	N15-2/105M	NP15-2B/105M	NP15-2B/105M	N15-4/105M	N20-3/105M	N35C/104M	N35C/104M	N30HC/104M	N25/1104M
4	N10-3/145M	N15-2/145	N15-2/145	NP15-2B/145	NP15-2B/145	N15-4/145M	N20-3/145M	N30/1105	N30/1105	N30H/1105	N25/1105
5	N10-3/146	*	*	*	*	N15-4/146M	N20-3/146	*	*	*	*
6	*	*	*	*	*	N15-4/147	*	*	*	*	*
7	N10-3/C17	N15-2/C17	N15-2/C17	N15-2/C17	N15-2/C17	N15-4/C17	N20-3/C17	N30/C17	N30/C17	N30/C17	N25/1108
8	*	*	*	*	*	N15-4/C16	N20-3C/C16	*	*	*	N25/C16
9	N10-3L/C25	N15-2C/C25	N15-2C/C25	NP15-2B/C25	NP15-2B/C25	N15-4C/C25	N20-3C/C25	N35C/C25	N35C/C25	N30HC/C25	*
10	NP15-2B/C53M	NP15-2B/C53M	NP15-2B/C53M	NP15-2B/C53M	NP15-2B/C53M	N20-3C/C53M	N20-3C/C53M	NP15-2B/C53M	NP15-2B/C53M	NP15-2B/C53M	NP15-2B/C53M
11	NP15-2B/C11	NP15-2B/C11	NP15-2B/C11	NP15-2B/C11	NP15-2B/C11	NP15-2B/C11	NP15-2B/C11	NP15-2B/C11	NP15-2B/C11	NP15-2B/C11	NP15-2B/C11
12	*	*	*	*	*	N20-3C/C11	N20-3C/C11	*	*	*	*
13	N10-3/C8	N10-3/C8	N10-3/C8	N10-3/C8	N10-3/C8	N15-4/C8	N15-4/C8	N10-3/C8	N10-3/C8	N10-3/C8	N10-3/C8
14	NP15-2B/C27	NP15-2B/C27	NP15-2B/C27	NP15-2B/C27	NP15-2B/C27	N20-3C/C27	N20-3C/C27	NP15-2B/C27	NP15-2B/C27	NP15-2B/C27	NP15-2B/C27
15	N10-3/1213	N20-3/1213	N20-3/1213	N20-3/1213	N20-3/1213	N20-3/1213	N20-3/1213	N20-3/1213	N20-3/1213	N20-3/1213	N20-3/1213
16	N10-3L/C28M	N10-3L/C28M	N15-2C/C28M	N10-3L/C28M	N15-2C/C28M	N15-4C/C28M	N20-3C/C28M	N10-3L/C28M	N15-2C/C28M	N30HC/C28M	N25/C28M
17	N10-3L/C52	N10-3L/C52	N15-2C/C52	N10-3L/C52	N15-2C/C52	N15-4C/C52	N20-3C/C52	N10-3L/C52	N15-2C/C52	N30HC/C52	N25/C52
18	N10-3L/C21	N15-2C/C21	N15-2C/C21	N15-2C/C21	N15-2C/C21	N15-2C/C21	N15-2C/C21	N15-2C/C21	N15-2C/C21	N15-2C/C21	N15-2C/C21
19	A-5211	A-5212	A-5212	A-5212	A-5212	A-5212	A-5212	A-5212	A-5212	A-5212	A-5212
20	N10-3/C96	N10-3/C96	N10-3/C96	N10-3/C96	N10-3/C96	N10-3/C96	N10-3/C96	N10-3/C96	N10-3/C96	N10-3/C96	N10-3/C96
21	N10-3L/C39	N10-3L/C39	N15-2C/C39	N10-3L/C39	N15-2C/C39	N20-3C/C39	N20-3C/C39	N10-3L/C39	N15-2C/C39	N30HC/C39	N15-2C/C39
22	NP15-2B/C71	NP15-2B/C71	NP15-2B/C71	NP15-2B/C71	NP15-2B/C71	NP15-2B/C71	NP15-2B/C71	NP15-2B/C71	NP15-2B/C71	NP15-2B/C71	NP15-2B/C71
23	N15-2C/C16	N15-2C/C16	N15-2C/C16	N15-2C/C16	N15-2C/C16	*	*	N15-2C/C16	N15-2C/C16	*	*
☆	RN10-3L	RN15-2C	RN15-2C	RN15-2C	RN15-2C	RN15-4C	RN20-3C	RN35C	RN35C	RN30HC	RN25
Cm³	1000	1000	1000	1000	1000	2400	2400	1000	1000	1800	750