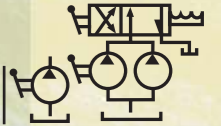


HYDRAULIC PUMPS



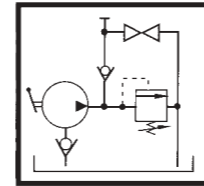
BK
BK
BMD Series



Single-acting hand pumps

BM-04, BM-1, BM-2 and BMAP-1

All are single acting, one-speed hand pumps, and can be used as a portable hydraulic tool or in a fixed position. They can operate both in a horizontal or vertical position. In this case, the pump head should be placed downwards. Their light weight and small oil volume make them a very useful pump where a quick action is required. They are fitted with a safety relief valve, factory rated at the maximum working pressure.

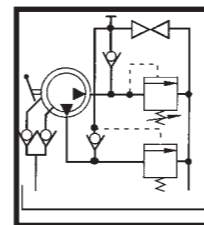


Hydraulic diagram



BM-3, BMAP-3, BM-6 and BM-12

Single-acting, two-speed hand pumps. The two-stage automatic system allows the operation of both pistons for a quick approach of the cylinder to load. The larger pump piston cuts out when the cylinder activated by the pump is under high pressure. All fitted with a safety relief valve, factory rated at the maximum working pressure.

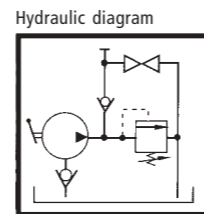


Hydraulic diagram



BK-05, BK-09

Vertical hand pumps. Single and two-speed. Fitted with holes in the pump base to be used as a fixed hydraulic tool.

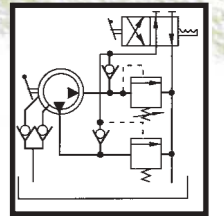


Hydraulic diagram

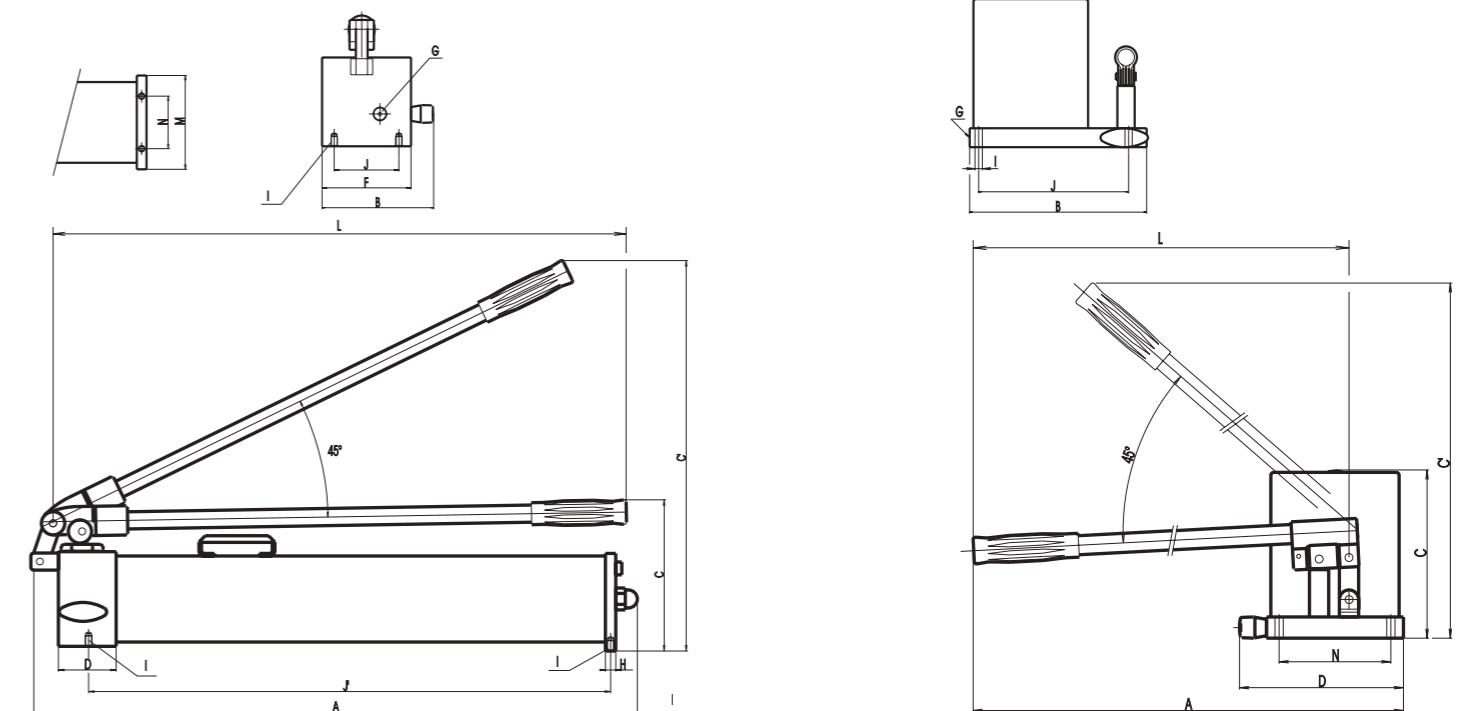
Double-acting hydraulic hand pumps

BMD-3, BMD-6 and BMD-12

These are double acting and two-speed hand pumps. They all feature same technical advantages as the single acting one-speed pumps. With a safety relief valve, factory rated at the maximum working capacity.



Hydraulic diagram



Vertical pump

Ref.	Working pressure		Effective oil volume		Oil flow per stroke		Dimensions mm/in.														Weight														
	kg/cm ²	psi	cm ³	in ³	1st stage cm ³ in ³	2nd stage cm ³ in ³	A	B	C	C'	D	F	G	H	I	J	J'	L	M	N	Kg.	lbs.													
BM-04	700	10000	400	24,4	-	2,5 0,15	460	18 1/64	127	5	137	5 13/32	440	17 5/16	30	1 3/16	97	3 13/16	3/8-18NPT	33	1 5/16	8,5	11/32	-	-	-	-	400	15 3/4	-	-	50	2	4,25	9,4
BM-1	700	10000	1250	76,3	-	2,5 0,15	590	23 7/32	133	5 1/4	155	6 1/64	610	24	30	1 3/16	104	4 1/64	3/8-18NPT	33	1 5/16	8,5	11/32	-	-	-	-	600	23 5/8	-	-	80	3 6/32	6,7	14,8
BM-2	700	10000	2000	122	-	2,5 0,15	570	22 7/16	155	6 1/64	175	6 7/8	630	14 13/16	30	1 3/16	140	5 1/2	3/8-18NPT	33	1 5/16	8,5	11/32	-	-	-	-	600	23 5/8	-	-	90	3 9/16	12	26,5
BMAP-1	1500	21430	1250	76,3	-	1 0,06	590	23 7/32	142	5 5/8	155	6 1/64	610	24	30	1 3/16	112	4 7/16	1/4-19GAS	33	1 5/16	8,5	11/32	-	-	-	-	600	23 5/8	-	-	80	3 6/32	7,2	15,9
BK-05	700	10000	650	39,7	-	2,5 0,15	625	24 5/8	180	7 3/32	144	5 11/16	610	24	140	5 1/2	-	-	3/8-18NPT	-	-	8,5	11/32	-	-	-	-	600	23 5/8	-	-	96	3 3/4	7	15,4
BKD-09	700	10000	1100	67,1	8	0,5 2,5 0,15	625	24 5/8	228	8 15/16	233	9 3/16	610	24	140	5 1/2	-	-	3/8-18NPT	-	-	8,5	11/32	-	-	-	-	600	23 5/8	-	-	96	3 3/4	9,5	20,9
BM-3	700	10000	3000	183	19	1,15 2,5 0,15	700	27 9/16	135	5 5/16	185	7 9/32	595	23 7/16	67	2 5/8	110	4 5/16	3/8-18NPT	12	15/32	M8x1,25	80	3 6/32	607	23 7/8	665	26 3/16	80	3 6/32	65	2 9/16	14	30,9	
BMAP-3	1500	21430	3000	183	18	1,1 1,15 0,07	700	27 9/16	135	5 5/16	185	7 9/32	595	23 7/16	67	2 5/8	110	4 5/16	1/4-19GAS	12	15/32	M8x1,25	80	3 6/32	607	23 7/8	665	26 3/16	80	3 6/32	65	2 9/16	14	30,9	
BM-6	700	10000	6000	366	19	1,15 2,5 0,15	700	27 9/16	168	6 5/8	185	7 9/32	595	23 7/16	67	2 5/8	110	4 5/16	3/8-18NPT	10	25/64	M6x1	130	5 1/8	-	-	665	26 3/16	165	6 1/2	-	-	20	44,1	
BM-12	700	10000	12000	732	19	1,15 2,5 0,15	700	27 9/16	290	11 7/16	185	7 9/32	595	23 7/16	67	2 5/8	110	4 5/16	3/8-18NPT	10	25/64	-	-	-	-	665	26 3/16	290	11 7/16	-	-	25	55,1		
BMD-3	700	10000	3000	183	19	1,15 2,5 0,15	730	27 9/16	146	5 3/4	185	7 9/32	595	23 7/16	125	4 15/16	110	4 5/16	3/8-18NPT	12	15/32	M8x1,25	80	3 6/32	607	23 7/8	665	26 3/16	80	3 6/32	65	2 9/16	17	37,5	
BMD-6	700	10000	6000	366	19	1,15 2,5 0,15	730	27 9/16	168	6 5/8	185	7 9/32	595	23 7/16	125	4 15/16	110	4 5/16	3/8-18NPT	10	25/64	M6x1	130	5 1/8	-	-	665	26 3/16	165	6 1/2	-	-	23	50,7	
BMD-12	700	10000	12000	732	19	1,15 2,5 0,15	730	27 9/16	290	11 7/16	185	7 9/32	595	23 7/16	125	4 15/16	110	4 5/16	3/8-18NPT	10	25/64	-	-	-	-	665	26 3/16	290	11 7/16	-	-	28	61,7		