

## Spread cylinder

### SH-1

Spring return

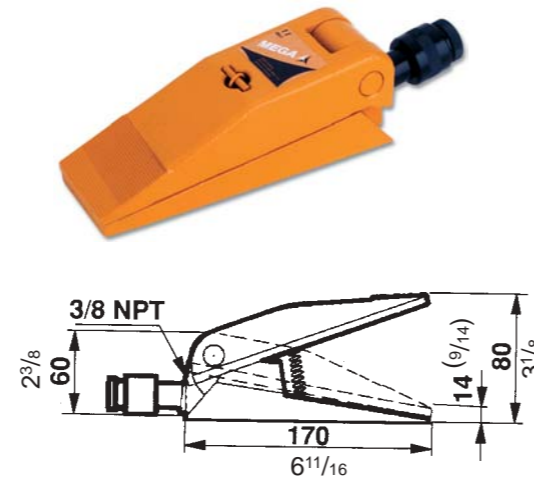
Capacity: 1 t

Weight: 3,5kg / 7,7lbs

Fitted with female quick coupler, ref. A-5506-H.

Widely used for spreading operations in tight spaces where a high force is required.

This hydraulic tool is a component of the Maintenance Kits described on page 35.



## Load cells

### TDM-10 - 10t

Tension load cell

Designed for measuring applications and pull test.

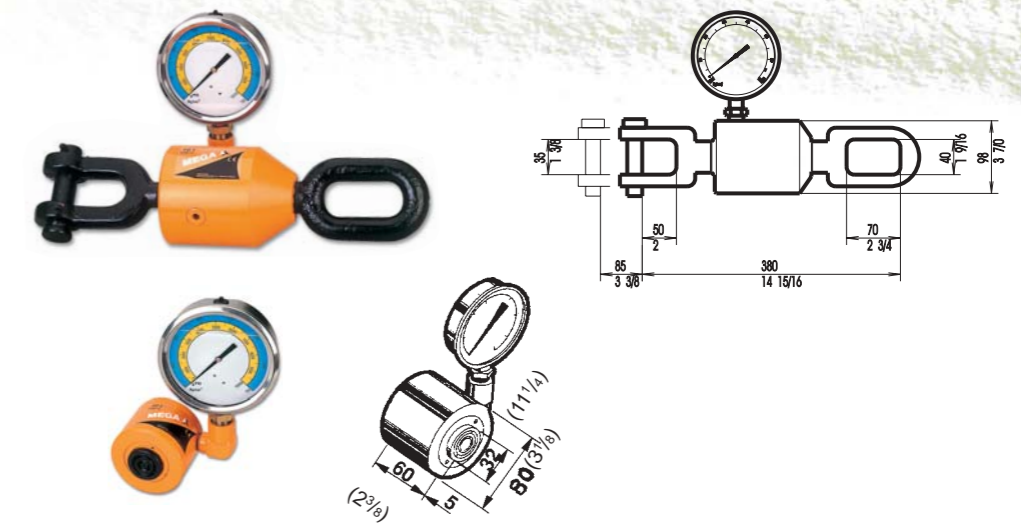
Precision: ± 2,5%.

### CDM-10 - 10t

Compression load cell

Widely used as a load cell in presses, clamps etc.

Precision: ± 2,5%.



## Hydraulic bolt tensioners

Working pressure: 1.500 kg/cm<sup>2</sup>/21.430 psi.

A bolt tensioner is a hydraulic hollow cylinder with an internally threaded piston which is attached into a bolt.

The application of a hydraulic force to the cylinder stretches the bolt.

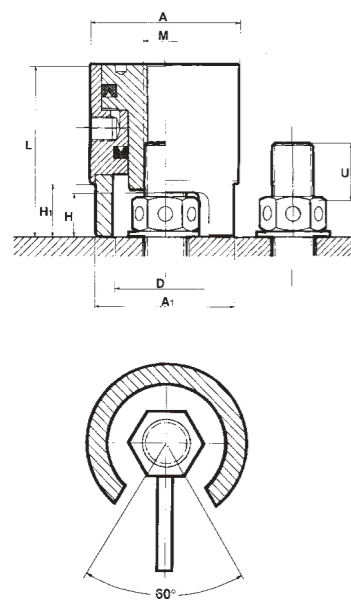
The nut can be then tightened with the aid of a rod inserted in a hole previously drilled on the nut.

The supporting ring of the bolt tensioner has an opening for an easier tightening operation.

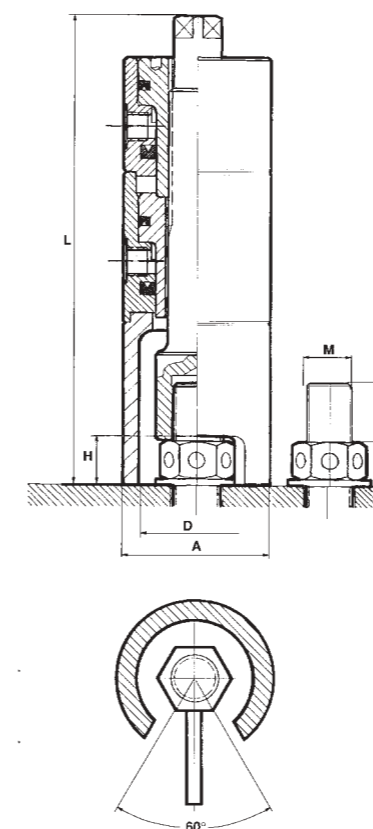


## THS: Single cylinder / THD: Double cylinder

The THD bolt tensioners feature same characteristics as those of the THS series, although they have a double cylinder for use where space is tight.



Ref.	Metric thread	Stroke A mm. in.	Maximum capacity kN	Effective area cm <sup>2</sup> in <sup>2</sup>	Dimensions mm/in.							Weight		
					A	A <sub>1</sub>	D	H	H <sub>1</sub>	L	U	Kg.	lbs.	
THS-20	M-20	8	321,3	21,85	77	72	54	23	27	90	20	13/16	2,5	5,5
THS-22	M-22	8	321,3	21,85	77	72	54	23	27	90	20	13/16	2,5	5,5
THS-24	M-24	8	321,3	21,85	77	72	54	23	27	90	20	13/16	2,5	5,5
THS-27	M-27	8	321,3	21,85	77	72	54	23	27	90	20	13/16	2,5	5,5
THS-30	M-30	8	321,3	21,85	77	72	54	23	27	90	20	13/16	2,5	5,5
THS-33	M-33	8	692,45	47,12	112	100	77	30	40	104	33	1 5/16	5,5	12,1
THS-36	M-36	8	692,45	47,12	112	100	77	30	40	104	33	1 5/16	5,5	12,1
THS-39	M-39	8	692,45	47,12	112	100	77	30	40	104	33	1 5/16	5,5	12,1
THS-42	M-42	8	692,45	47,12	112	100	77	30	40	104	33	1 5/16	5,5	12,1
THS-45	M-45	8	1302,2	88,56	153	136	102	40	54	128	45	1 13/16	12,5	27,5
THS-48	M-48	8	1302,2	88,56	153	136	102	40	54	128	45	1 13/16	12,5	27,5
THS-52	M-52	8	1302,2	88,56	153	136	102	40	54	128	45	1 13/16	12,5	27,5
THS-56	M-56	8	1302,2	88,56	153	136	102	40	54	128	45	1 13/16	12,5	27,5
THS-60	M-60	8	2057,6	139,92	198	187	131	52	74	160	60	2 3/8	25	55,1
THS-64	M-64	8	2057,6	139,92	198	187	131	52	74	160	60	2 3/8	25	55,1
THS-68	M-68	8	2057,6	139,92	198	187	131	52	74	160	60	2 3/8	25	55,1
THS-72	M-72	8	2057,6	139,92	198	187	131	52	74	160	60	2 3/8	25	55,1
THS-76	M-76	10	2642	179,66	227	208	152	58	85	186	76	3	37,5	82,6
THS-80	M-80	10	2642	179,66	227	208	152	58	85	186	76	3	37,5	82,6
THS-85	M-85	10	2642	179,66	227	208	152	58	85	186	76	3	37,5	82,6
THS-90	M-90	10	3638,2	247,4	263	245	185	70	102	216	90	3 9/16	57	125
THS-95	M-95	10	3638,2	247,4	263	245	185	70	102	216	90	3 9/16	57	125
THS-100	M-100	10	3638,2	247,4	263	245	185	70	102	216	90	3 9/16	57	125



Ref.	Metric thread	Stroke A mm. in.	Maximum capacity kN	Effective area cm <sup>2</sup> in <sup>2</sup>	Dimensions mm/in.							Weight		
					A	A <sub>1</sub>	D	H	H <sub>1</sub>	L	U	Kg.	lbs.	
THD-20	M-20	8	321,3	21,85	77	72	54	23	27	90	20	13/16	2,5	5,5
THD-22	M-22	8	321,3	21,85	77	72	54	23	27	90	20	13/16	2,5	5,5
THD-24	M-24	8	321,3	21,85	77	72	54	23	27	90	20	13/16	2,5	5,5
THD-27	M-27	8	321,3	21,85	77	72	54	23	27	90	20	13/16	2,5	5,5
THD-30	M-30	8	321,3	21,85	77	72	54	23	27	90	20	13/16	2,5	5,5
THD-33	M-33	8	779,4	53	112	100	77	30	40	104	33	1 5/16	5,5	12,1
THD-36	M-36	8	779,4	53	112	100	77	30	40	104	33	1 5/16	5,5	12,1
THD-39	M-39	8	779,4	53	112	100	77	30	40	104	33	1 5/16	5,5	12,1
THD-42	M-42	8	779,4	53	112	100	77	30	40	104	33	1 5/16	5,5	12,1
THD-45	M-45	8	1495,6	101,7	153	136	102	40	54	128	45	1 13/16	12,5	27,5
THD-48	M-48	8	1495,6	101,7	153	136	102	40	54	128	45	1 13/16	12,5	27,5
THD-52	M-52	8	1495,6	101,7	153	136	102	40	54	128	45	1 13/16	12,5	27,5
THD-56	M-56	8	1495,6	101,7	153	136	102	40	54	128	45	1 13/16	12,5	27,5
THD-60	M-60	8	2099	142,73	198	187	131	52	74	160	60	2 3/8	25	55,1
THD-64	M-64	8	2099	142,73	198	187	131	52	74	160	60	2 3/8	25	55,1
THD-68	M-68	8	2099	142,73	198	187	131	52	74	160	60	2 3/8	25	55,1
THD-72	M-72	8	2099	142,73	198	187	131	52	74	160	60	2 3/8	25	55,1
THD-76	M-76	10	2858,5	194,38	227	208	152	58	85	186	76	3	37,5	82,6
THD-80	M-80	10	2858,5	194,38	227	208	152	58	85	186	76	3	37,5	82,6
THD-85	M-85	10	2858,5	194,38	227	208	152	58	85	186	76	3	37,5	82,6